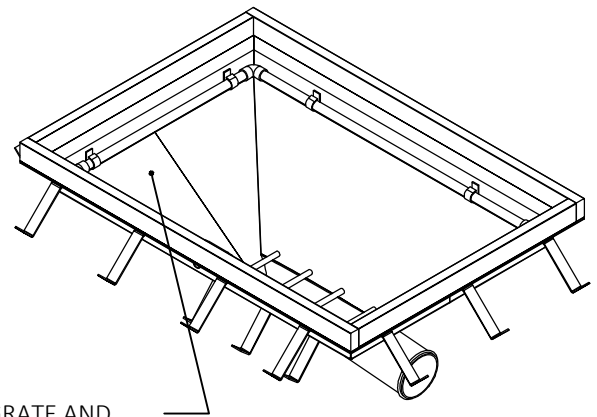
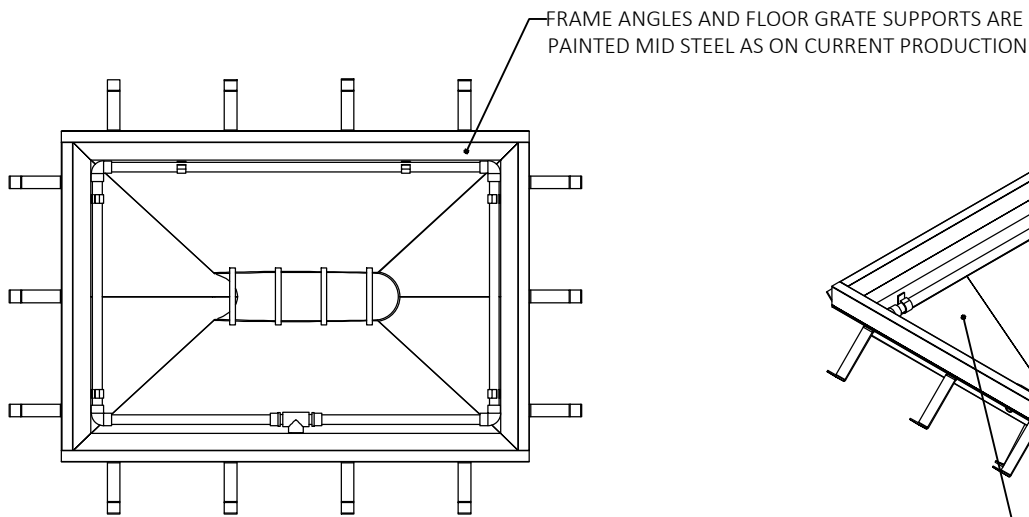
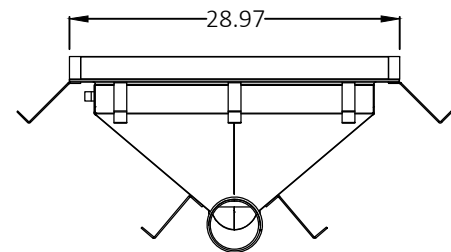
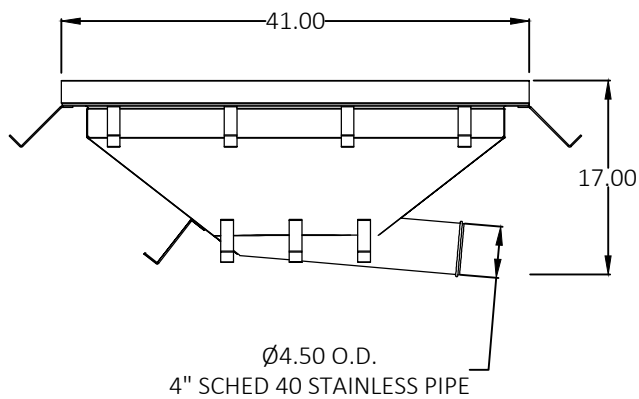


Side Discharge Hopper



HOPPER SIDES, WELDED GRATE AND DISCHARGE PIPE ARE STAINLESS STEEL AS ON CURRENT PRODUCTION



Hudson River Corp.

Hoboken NJ 07030
201-420-3311

This drawing and all information thereon, both explicit and implied, are the sole property of Hudson River Corp. and may not be reproduced, transferred or disclosed for any purpose except as specifically authorized in writing by Hudson River Corp.