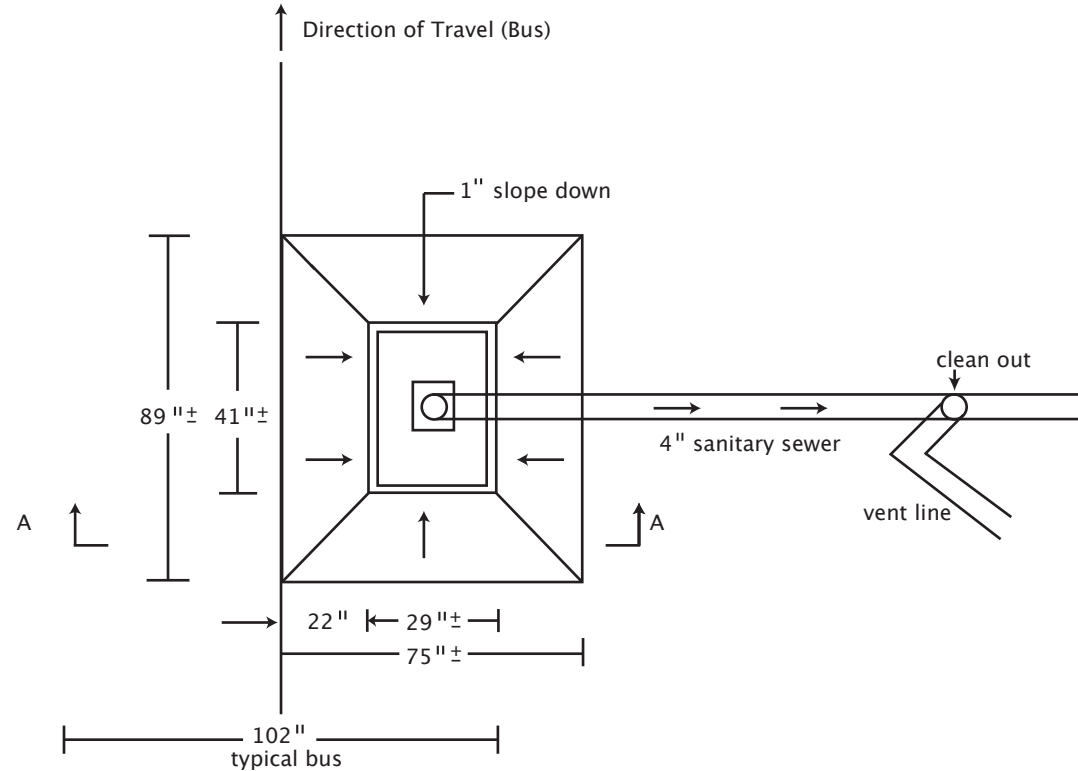


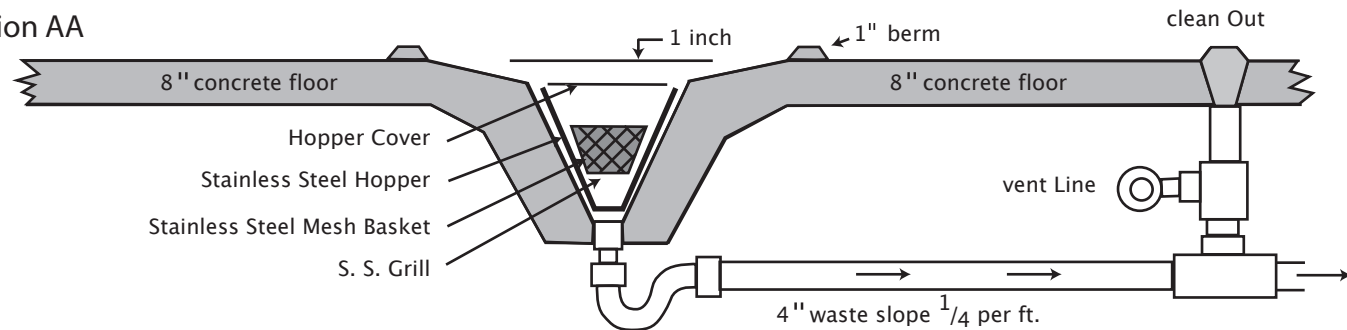
Typical Installation

Requires local approval and permit.

Plan View



Section AA



Hudson River Corp.

Hoboken NJ 07030-2270

201-420-3311 201-420-3322 fax

This drawing and all information thereon, both explicit and implied, are the sole property of Hudson River Corp. and may not be reproduced, transferred or disclosed for any purpose except as specifically authorized in writing by Hudson River Corp.